

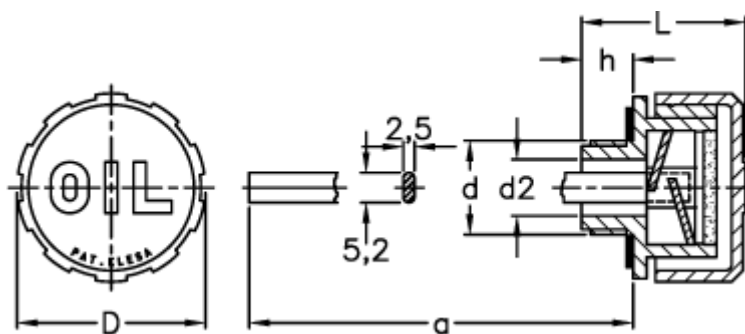
Data Sheet



Article number: 2311054431

Description: E+G Breather plug
SFP.57-1 1/4+F+a FIL

Measures



a = 184
D = 57
d = G 1 1/4
d2 = 28
h = 16.0
L = 44.0